

**SPECIFICATIONS**

**Material:** E-SEELS -- Silicone rubber polymer type ASTM D 1418

**Mounting Nut:** E-SEELS: Brass, black-oxide

**Temperature Range:** E-SEELS: -80°F to +400°F

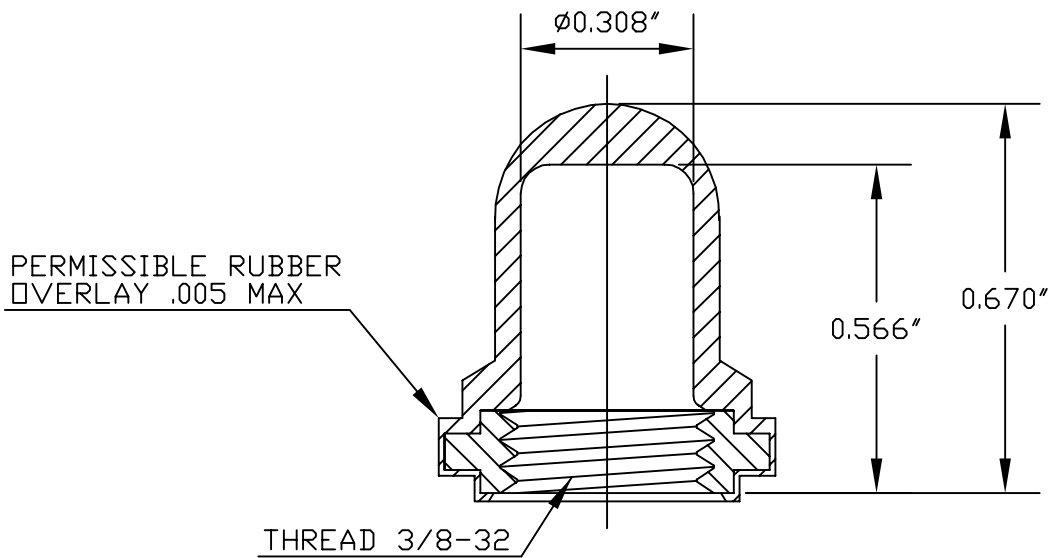
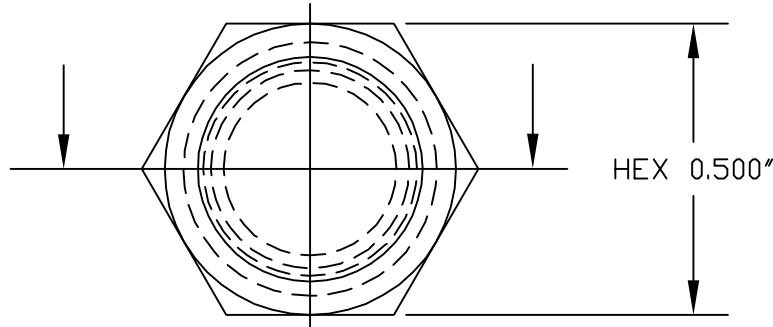
**Pressure Range:** Exceeds 15 psi internal and 1500 psi external.

**Operational Life:** 50,000 actuations (minimum).

**Shelf Life:** Excess of 25 years.

**Resistant to:** Salt spray, sunlight, ozone, weather, fungus, and most acids and lubricating oils

**Agency Recognition:** UL & ULC Recognized to UL Std. 50



B	UPDATED DIMENSIONS			07.14.08
A	CAD COMPUTER GENERATED			09.23.02
REV.	DESCRIPTION			DATE
MAXIMUM AND MINIMUM MEASUREMENTS ARE STATED DIRECTLY ON EACH DIMENSION.	TITLE: BOOT, PUSHBUTTON	ENG.	S. GOK	07.14.08
MAT'L: SILICONE RUBBER ASTM D 1418		DWN.	S. GOK	07.14.08
		CHKD.	J. CELLA	07.14.08
FINISH: CLEAR	APM-HEXSEAL CORPORATION	SCALE 3:1	DWG. NO. 1231/35	

THIS DRAWING COVERS PROPRIETARY ITEM AND IS THE PROPERTY OF THE APM-HEXSEAL CORPORATION.  
THIS DRAWING IS NOT TO BE COPIED OR USED WITHOUT THE WRITTEN APPROVAL OF AN OFFICER OF THE APM-HEXSEAL CORPORATION.